



# CII FCC-360 Series Contactor

Small, Lightweight, Environmentally Sealed 60-Amp Contactor, with a Double Make Contact Design, Providing Fast and Reliable Switching

# CII FCC-360 Series Contactor

Small, Lightweight, Environmentally Sealed 60-Amp Contactor  
Providing Fast and Reliable Switching



## SMALL ENVELOPE

- 2.5" x 2.1" footprint

## LIGHTWEIGHT

- 9.5 oz max weight

## DURABLE

- Double make contact design for less wear and tear on contact
- Designed to performance requirements in MIL-PRF-6106

## FAST SWITCHING

- Utilizes economized coil
- 15 Milliseconds operating time

## QUICK RELIABLE INSTALLATIONS

- Utilizes rugged threaded terminals

## APPLICATIONS/ MARKETS SERVED

- Military Aircraft
- UAV
- Commercial Aerospace
- Military Ground
- Shipboard

## Description

The new FCC-360-CU4 from TE Connectivity (TE) offers significant size, weight and performance advantages over current products on the market.

It is built in a 3 SPST normally open contact configuration, with 2 SPDT auxiliary switches. It is rated at 60 Amps for both 28 VDC and 115 VAC 60Hz/400HZ switching.

The double make contact design reduces wear and tear on the contacts over time. When coupled with our efficient coil economizer, this contactor provides an excellent choice for aerospace, defense and marine power applications.

## ELECTRICAL/ENVIRONMENTAL

- **Coil Current:** 28VDC economized coil 5A max inrush: 100ms duration: 300 mA holding current (operating temperature)
- **Contact Rating:** 60A; with 10X Rupture Current
- **Aux Contact Rating:** 2A
- **Rated Operating Voltage:** 28 VDC, 115 VAC-60 / 400 HZ
- **Pickup:** 18 VDC (@ operating temperature)
- **Dropout:** 1-9 VDC @ operating temperature)
- **Contact Bounce:** 1 ms on both main and aux contacts
- **Operating Time @ 28 VDC:** 15 ms on both pickup and dropout
- **Electrical Life:** Resistive: 50K min
- **Operating Temperature:** -55C to +85C Temperature to 50,000 feet altitude

## ENVIRONMENTAL

- **Construction:** Gasket sealed

## MECHANICAL

- **Minimum Mechanical Life:** 100,000 cycles @25% rated resistive load

## MATERIALS

- **Housing:** Lightweight Zytel housing

## STANDARDS AND TEST REPORTS

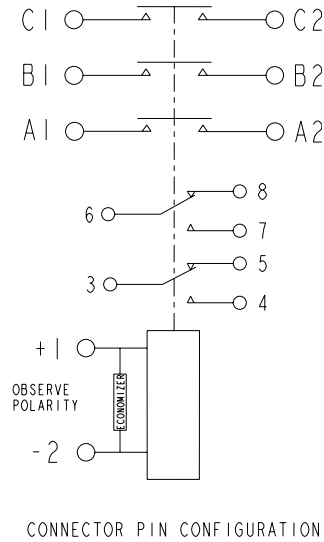
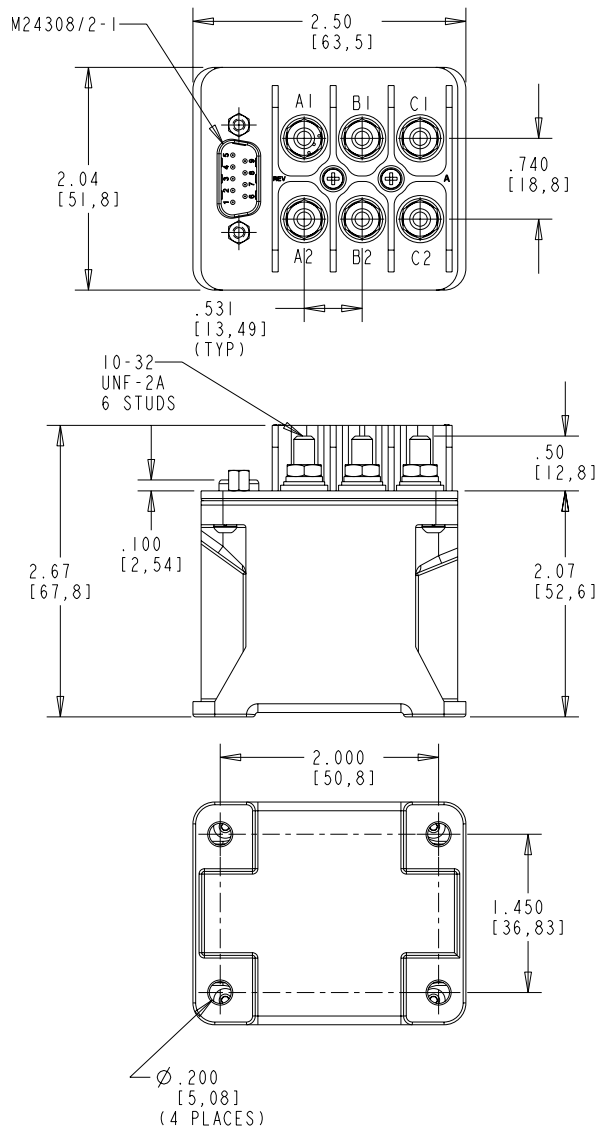
- Designed to the performance standards of MIL-PRF-6106

## TE Components . . . TE Technology . . . TE Know-how . . .

AMP | AGASTAT | CII | HARTMAN | KILOVAC | MICRODOT | NANONICS | POLAMCO | Raychem  
SEACON | Rochester | DEUTSCH

Empower Engineers to Solve Problems, Moving the World Forward.

# CII FCC-360 Series Contactor



## PRODUCT INFORMATION

Part Number	Description	GPL	Product Code	Samples? Y/N/P	Application Tooling Y/N + PN
FCC-360-CU4	60 Amp Contactor, Threaded Terminals	G49	K611	N	N

## LET'S CONNECT

We make it easy to connect with our experts and are ready to provide all the support you need. Just call your local support number or visit [te.com](http://te.com) to chat with a Product Information Specialist.

## Technical Support

[te.com/support-center](http://te.com/support-center)

North America	+1 800 522 6752	Asia Pacific	+86 400 820 6015
North America (Toll)	+1 717 986 7777	Japan	+81 044 844 8180
EMEA/South Africa	+800 0440 5100	Australia	+61 2 9554 2695
EMEA (Toll)	+31 73 624 6999	New Zealand	+64 (0) 9 634 4580
India (Toll-Free)	+800 440 5100		

[te.com/cii-fcc-360](http://te.com/cii-fcc-360)

AMP, AGASTAT, CII, DEUTSCH, HARTMAN, KILOVAC, MICRODOT, NANONICS, POLAMCO, Raychem, SEACON, TE, TE Connectivity and the TE connectivity (logo) are trademarks owned or licensed by TE Connectivity. Other products, logos, and company names mentioned herein may be trademarks of their respective owners.

While TE Connectivity (TE) has made every reasonable effort to ensure the accuracy of the information herein, nothing herein constitutes any guarantee that such information is error-free, or any other representation, warranty or guarantee that the information is accurate, correct, reliable or current. The TE entity issuing this publication reserves the right to make any adjustments to the information contained herein at any time without notice. All implied warranties regarding the information contained herein, including, but not limited to, any implied warranties of merchantability or fitness for a particular purpose are expressly disclaimed. The dimensions herein are for reference purposes only and are subject to change without notice. Specifications are subject to change without notice.

Consult TE for the latest dimensions and design specifications.

© 2019 TE Connectivity All Rights Reserved.

2351482-1 02/19